

EARTHING CONTACT TYPE 3/6



Product features

- 6 individual spring-loaded carbon brushes
- Integrated wear-indication
- Housing in fibre-glass reinforced plastic
- Minimal dimension due to compact design
- Mass max. 1.5 kg
- Best transition resistance
- Current up to 600 A
- Integrated seal with protection tube
- Cable holder with integrated pull relief
- Wear-less contact disc in hardened steel
- Life cycle of carbon brushes up to 2 mio. km
- Maintenance-free
- Professional recycling

Combination options

- Speed-sensor
- Pick-up-sensor

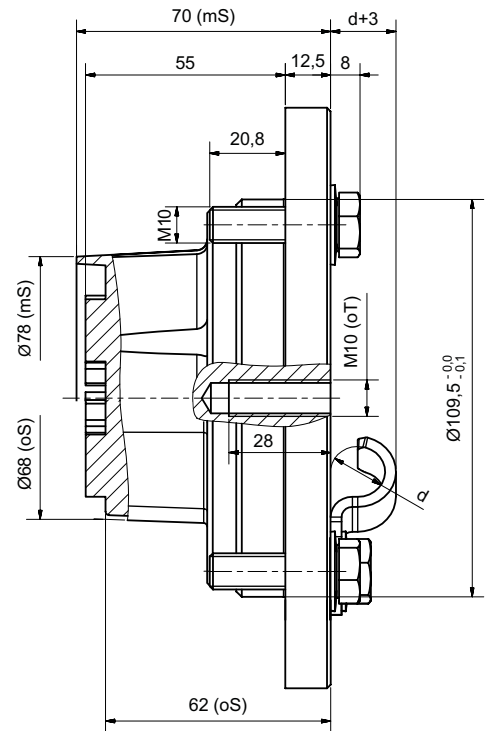
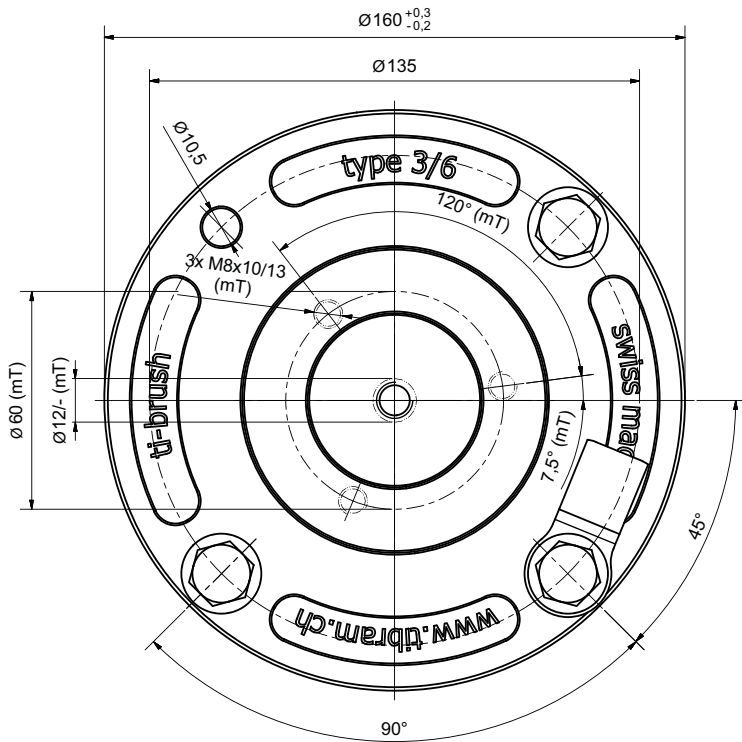
Accessories kit

- Contact disc
- Cable holder
- Fixing parts

Quality assurance

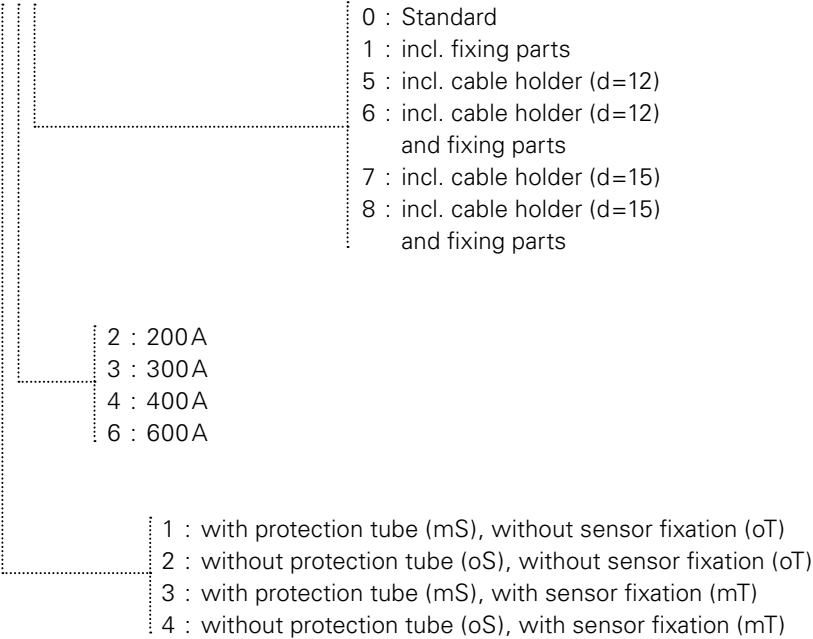
- 100% control of
- spring pressure
 - electrical connections

EARTHING CONTACT TYPE 3/6



Variants

11 03 xyz



Type 3/6

Standards

- Vibration resistance:
 - EN61373:2010, cat. 3
- Protection class:
 - IP69K (DIN40050-9/EN60529)
- Fire protection:
 - EN45545-2:2013, R23-HL3
- Peak current resistance:
 - DC: 45 MA²s (e.g. 25 kA, 70 ms)
 - AC: 70 MA²s (e.g. 25 kA, 100 ms)

Fixing parts

- 4 hexagon head screws
- 4 spring washers

TIBRAM AG

Rail technology

Industriestrasse 2
 CH-3661 Uetendorf
 Phone +41 (0)33 345 10 57
 Fax +41 (0)33 345 59 57

www.tibram.ch
 info@tibram.ch

Detailed technical documentation and 3D-models are available at Tibram.